



PN 10/16 - Art. D104 EPDM Q

PN 10/16 - Art. D106 EPDM Q

PN 10/16 - Art. D104 NBR Q

PN 10/16 - Art. D106 NBR Q

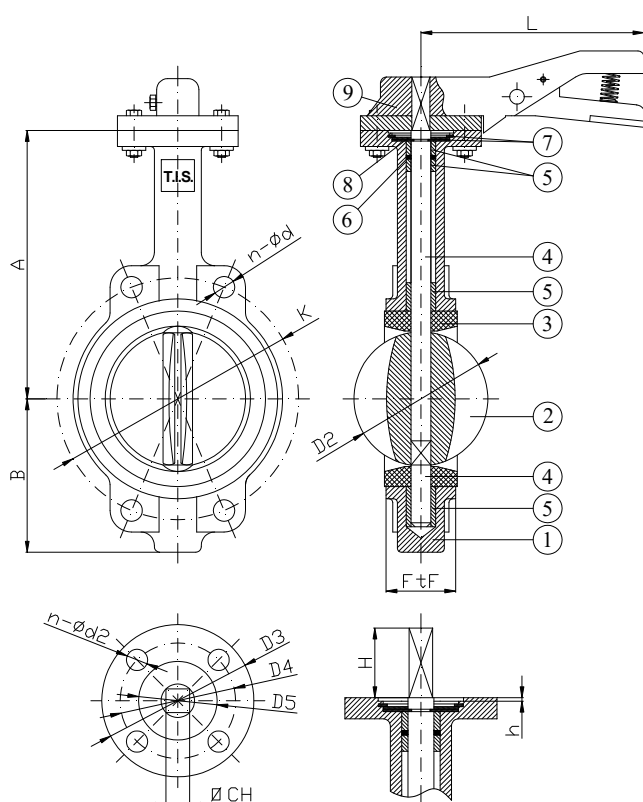
## VALVOLA A FARFALLA WAFER DA DN40 A DN200 PN10-PN16 WAFER BUTTERFLY VALVE FROM DN40 TO DN200 PN10-PN16

### APPLICAZIONE:

Impianti idrici, riscaldamento, condizionamento e antincendio.

### APPLICATION:

Water systems, heating, conditioning and fire prevention.



### CARATTERISTICHE PRINCIPALI - MAIN FEATURES

<b>NORMA PROGETTO:</b>	EN 593, EN 1074-1 ed EN 1074-2
<b>SCARTAMENTO:</b>	EN 558 Serie 20
<b>FLANGE:</b>	EN 1092-2
<b>COLLAUDI:</b>	EN 12266-1
<b>FLANGIA SUPERIORE:</b>	ISO 5211
<b>TEMPERATURA ESERCIZIO:</b>	EPDM $\leq +120^{\circ}\text{C}$ NBR $\leq +80^{\circ}\text{C}$

<b>DESIGN STANDARD:</b>	EN 593, EN 1074-1 ed EN 1074-2
<b>FACE TO FACE:</b>	EN 558 Serie 20
<b>FLANGES:</b>	EN 1092-2
<b>TESTS:</b>	EN 12266-1
<b>TOP FLANGE:</b>	ISO 5211
<b>WORKING TEMPERATURE:</b>	EPDM $\leq +120^{\circ}\text{C}$ NBR $\leq +80^{\circ}\text{C}$

	COMPONENTI PARTS	MATERIALI MATERIALS	
		Art. D104	Art. D106
1	CORPO BODY	EN-GJL 250 EN-GJL 250	EN-GJS 400-15 EN-GJS 400-15
2	DISCO DISC	EN-GJS 400-15 EN-GJS 400-15	INOX AISI 304 SS AISI 304
3	TENUTA SEAT	GOMMA EPDM (a richiesta NBR) EPDM COATED (NBR on request)	
4	ALBERO STEM	ACC. INOX AISI 420 (EN 1.4021) SS AISI 420 (EN 1.4021)	
5	BOCCOLA BUSHING	FIBRA DI VETRO + PTFE FIBERGLASS + PTFE	
6	O-RING O-RING	NBR NBR	
7	SEEGER SEEGER	ACCIAIO STEEL	
8	RONDELLA WASHER	ACC. INOX 304 (EN 1.4301) SS AISI 304 (EN 1.4301)	
9	LEVA LEVER	EN-GJL 250 EN-GJL 250	

### RIVESTIMENTO - COATING

Esterno con polvere epossidica di colore blu RAL 5015 e spessore 250 $\mu\text{m}$ .External FBE coating process with epoxy resin powder of blue colour RAL 5015 and thickness of 250 $\mu\text{m}$ .

DN	K	n- $\phi$ d		D2	D3	D4	D5	n- $\phi$ d2	h	CH	H	A	B	L	FtF	Kv	W(kg)
		PN10	PN16														
40	110	4-19	4-19	43	70	50	35	4-7	3	11	32	124	70	210	33	48	2.2
50	125	4-19	4-19	52	90	70	50	4-9	4	11	32	161	80	260	43	80	3.7
65	145	4-19	4-19	64	90	70	50	4-9	4	11	32	175	89	260	46	131	4.0
80	160	8-19	8-19	79	90	70	50	4-9	4	11	32	181	95	260	46	290	4.5
100	180	8-19	8-19	104	90	70	50	4-9	4	14	35	200	114	260	52	510	6.0
125	210	8-19	8-19	123	90	70	50	4-9	4	14	35	213	127	260	56	715	7.0
150	240	8-23	8-23	155	90	70	50	4-9	4	14	35	226	139	260	56	1387	8.0
200	295	8-23	12-23	202	125	102	70	4-12	4	17	40	260	175	360	60	2746	14.5